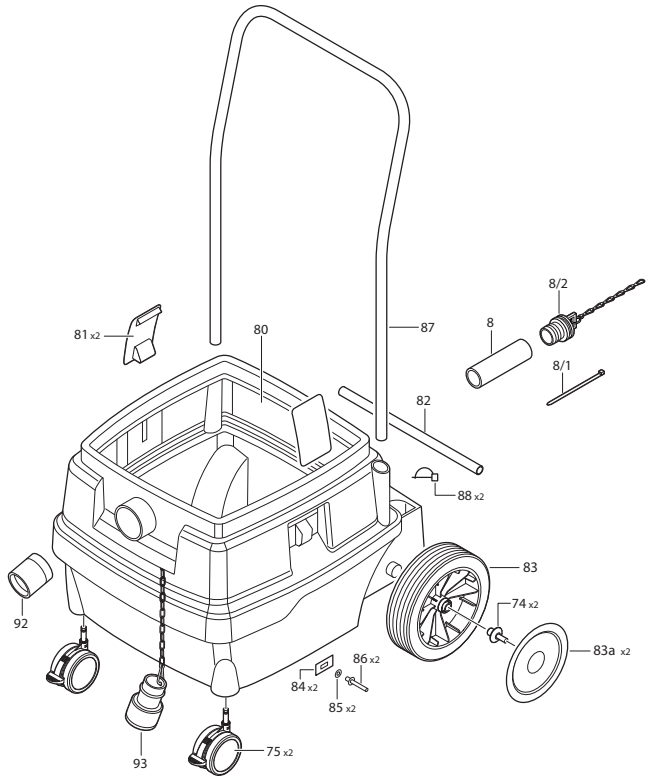
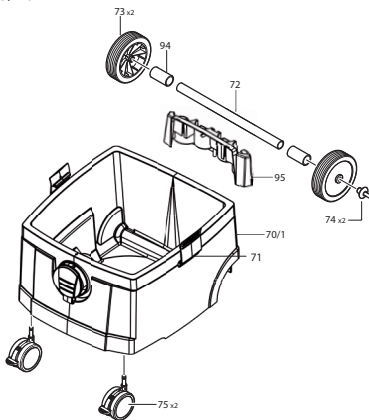


Explosionszeichnung

IS / ISC
Stand / issue 10/2013



ISC
Stand / issue 08/2017



IS
Stand / issue 10/2013

